

Diamond Diesel Service, Inc.

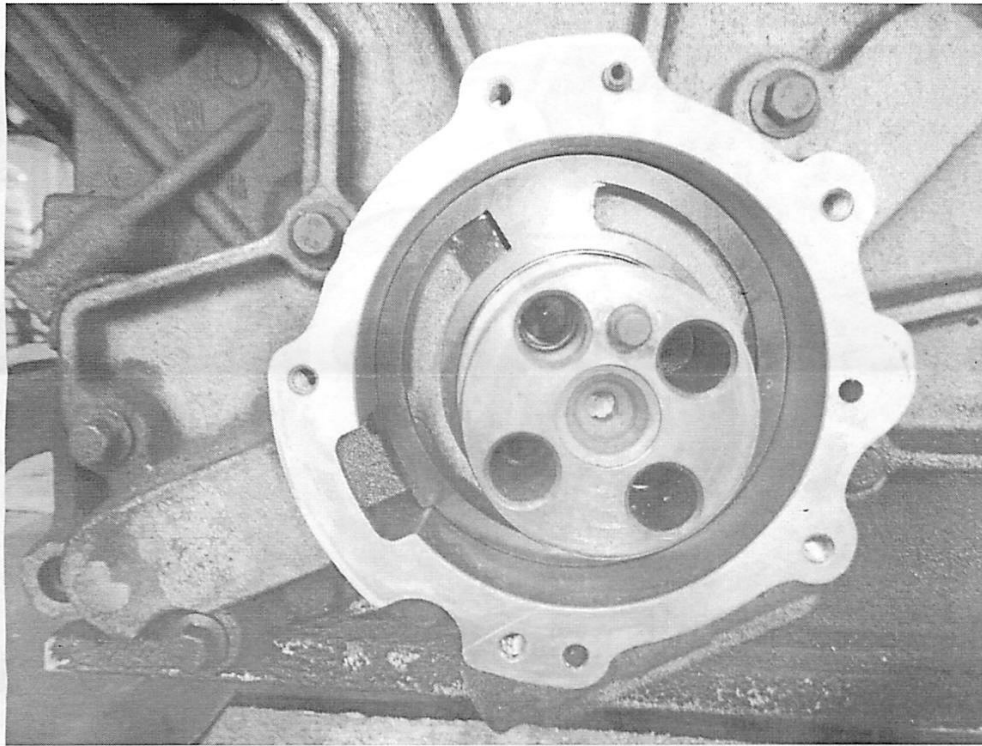


Figure: 5

Tips To Install the Wear Plate

- 1) Make sure area in **Fig.1** is clean of any debris.
- 2) Note that the seal sleeve is removed. **Fig.2**
- 3) Orient Wear Plate as shown in **Fig.3** making sure the lower tab is flush with the groove circled.
- 4) With the lower tab flush to the groove and inserted first, appx. halfway in. Orient the plate on an appx. 30 degree angle as shown in **Fig.4**
- 5) Holding the Wear Plate on the left side apply pressure (Wiggle if necessary the right side) and the wear plate will lay flat as in **Fig.5**

ATTENTION:

Do Not Apply Excess Force or Hammer. No modification of this plate is necessary and any modification voids all warranty.

A video is available to show installation if necessary.

Diamond Diesel Service, Inc.

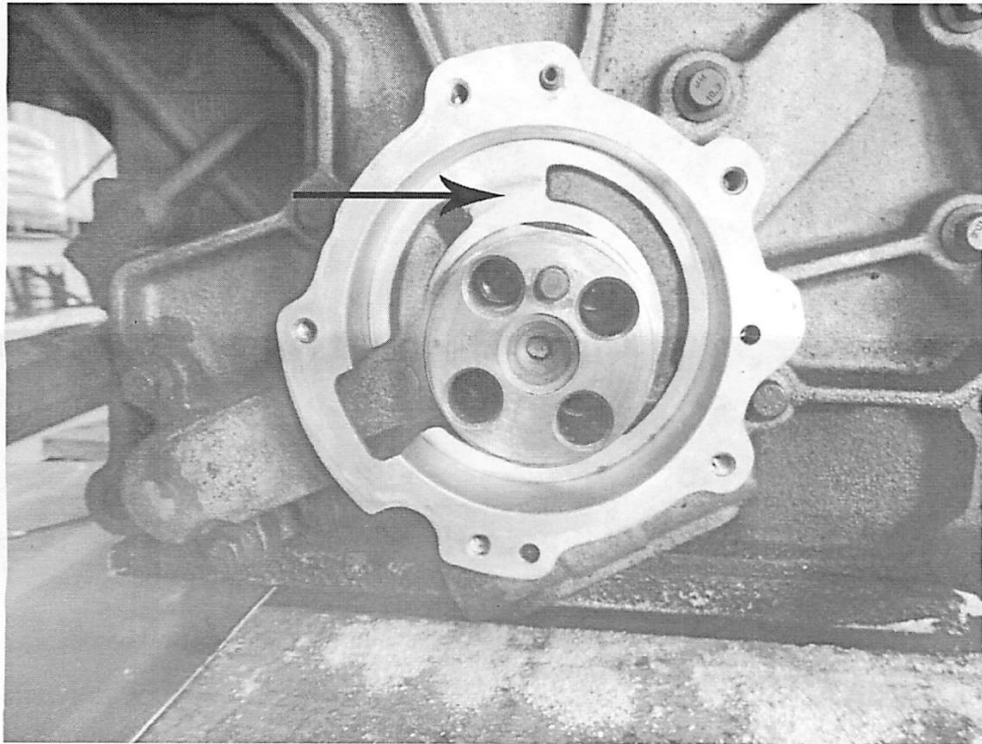


Figure: 1

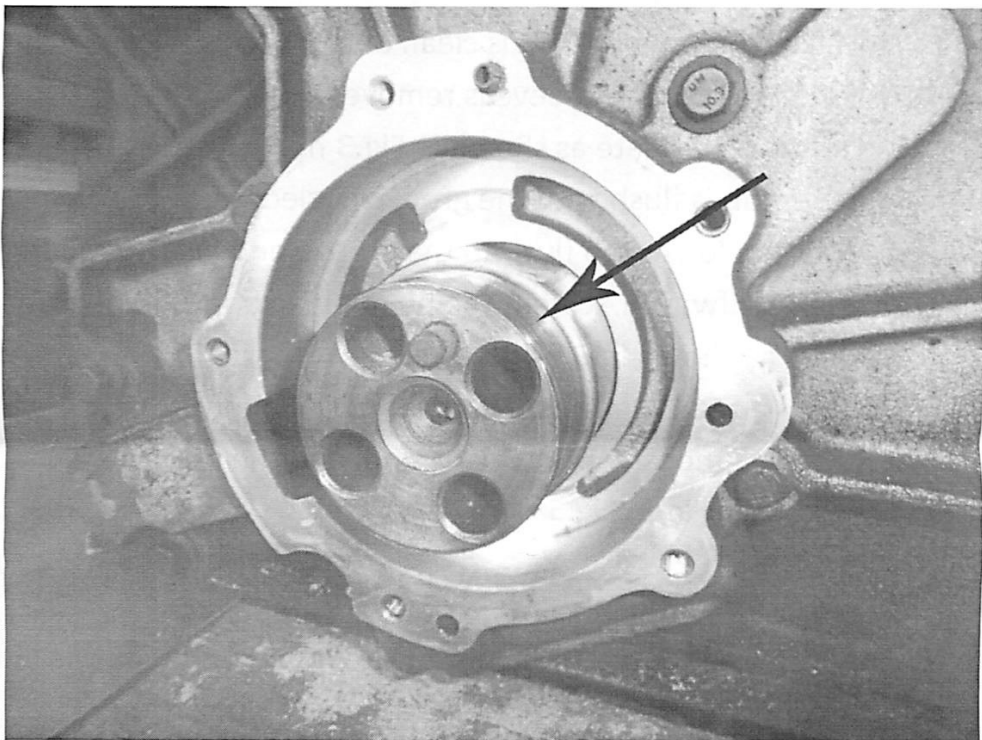


Figure: 2

Diamond Diesel Service, Inc.

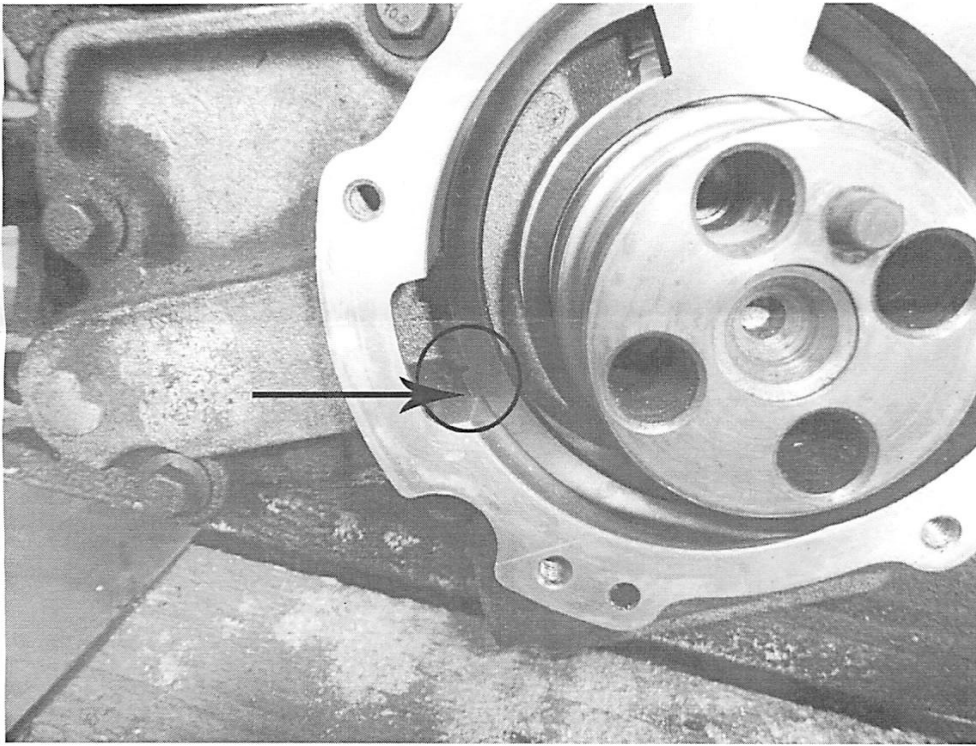


Figure: 3

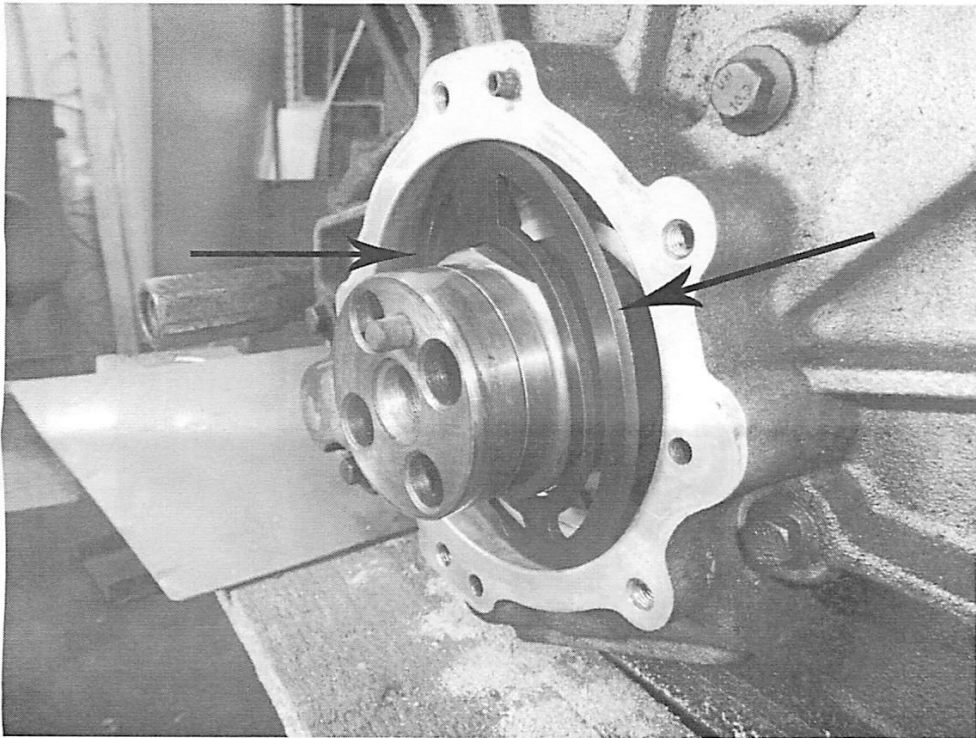


Figure: 4